

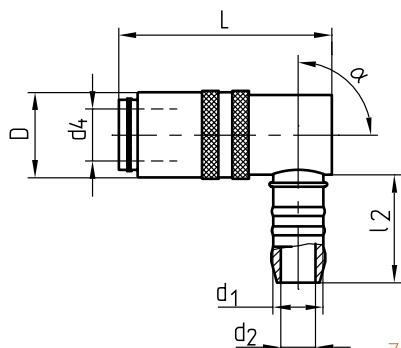
Z80/.../90

Mat.: 2.0401



► Info

Z81/...
Z811/...
Z83/...
Z831/...
Z90/...



Z85/...
Z851/...
Z853/...
Z854/...



p [bar]	max. °C	L	l ₂	D	d ₂	d ₁ /d ₄	α	Nr./No.
10	Viton®/200	41	24	17	6	9	90°	Z80/ 9/90
15		51	28	22	9	13		13/90
20		78	34	31	13	19		19/90

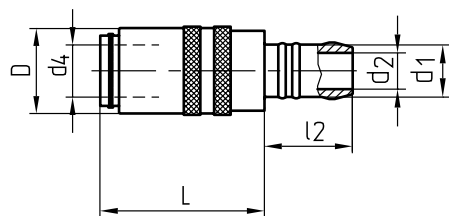
Z801/...

Mat.: 2.0401



► Info

Z81/...
Z83/...
Z831/...
Z90/...



Z85/...
Z851/...
Z853/...
Z854/...



p [bar]	max. °C	L	l ₂	D	d ₂	d ₁ /d ₄	Nr./No.
10	Viton®/200	31	22	17	6	9	Z801/ 9
15		37	25	22	9	13	13
20		58	32	31	13	19	19

This is trial version
www.adultpdf.com